

# Flat Blanket & Scarf Folder, Edition 2017

## Type **White Diamond** Blankets with Fringes / Scarves

espriTech GmbH • Brunnenhalstrasse 16 • CH-3306 Etzelkofen • Switzerland

# espriTech

The **White Diamond** folding machine is for the folding and stacking of flat blankets with fringes, scarves, or other flat products - woven, nonwoven, non-elastic pieces.  
This installation is prepared for manual feeding.  
The folding machine is able to work up various material types including wool, cotton, sateen, mixture fabric, polyester/cotton, and flannel.  
The feeding edges of the pieces are shown as outside fold.

**Swiss Technology, made in Switzerland**



**White Diamond**  
Layout No.: 015732  
HS CODE: 8451.5000

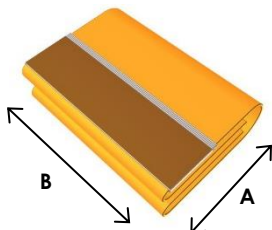
Patent pending © espriTech

### Feeding size:

- (Additional Sizes on request)
- W = 40"-120"/1000 mm-3050 mm
  - L = 40"-130"/1000 mm-3300 mm

### Folding size:

- (Additional sizes on request)
- A = 6"- 15"/152 mm-381 mm
  - B = 8"- 15"/228 mm-381 mm



### Folding pattern:

- Top fold (visible boarder)

### Production single program mode:

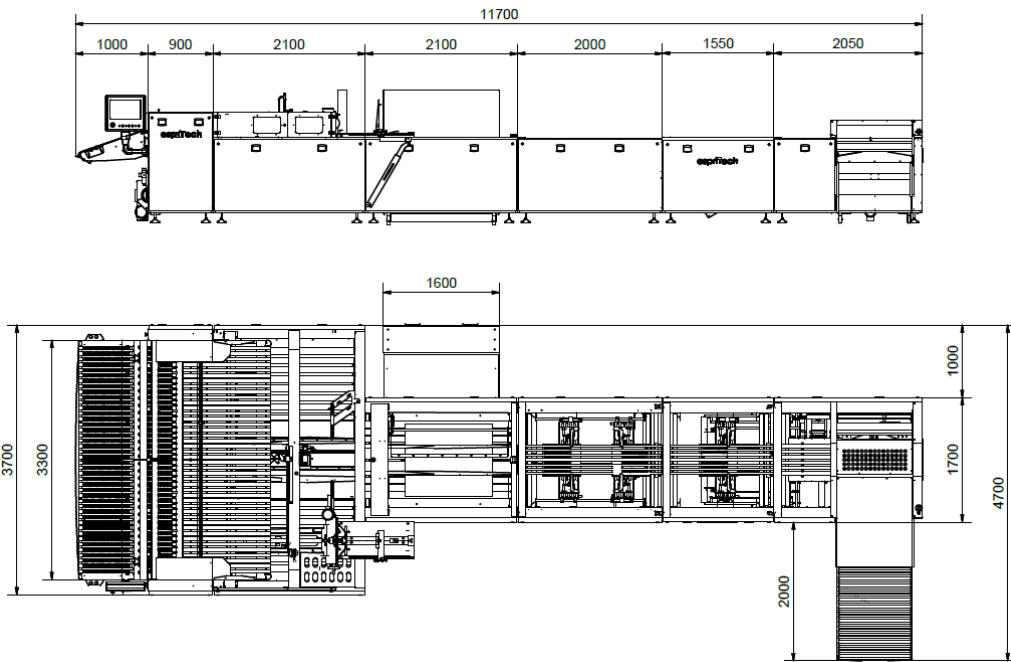
- Two operator for manual feeding
- Up to 550 pieces/h



Notice: Picture may show options with additional price which are not included in the price of the basic Machine.

We are reserving technical alterations that are useful for the progress.

This also concerns alterations that are made during the production of the machine. This will not arise any disadvantages for the customer.

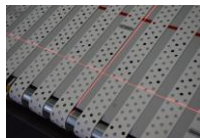


**Technical data:**

- 230/400 V 50/60 Hz, 3 phases /N/PE, approx. 20 A, 10 kW
- Compressed air 6 Bar/87 psi
- 500 l/min air consumption

**Control system:**

- Beckhoff TwinCat, PC- Windows 7
- 21" Touchscreen
- 40'000 program spaces
- Remote access integrated (Internet )
- Integrated cooling system (optional)



**Options**

- Automatic Laser, indicating automatically feeding position
- Motive centering device
- Camera System for Folding process observation
- Many other options on request
- Automatic Rolling device

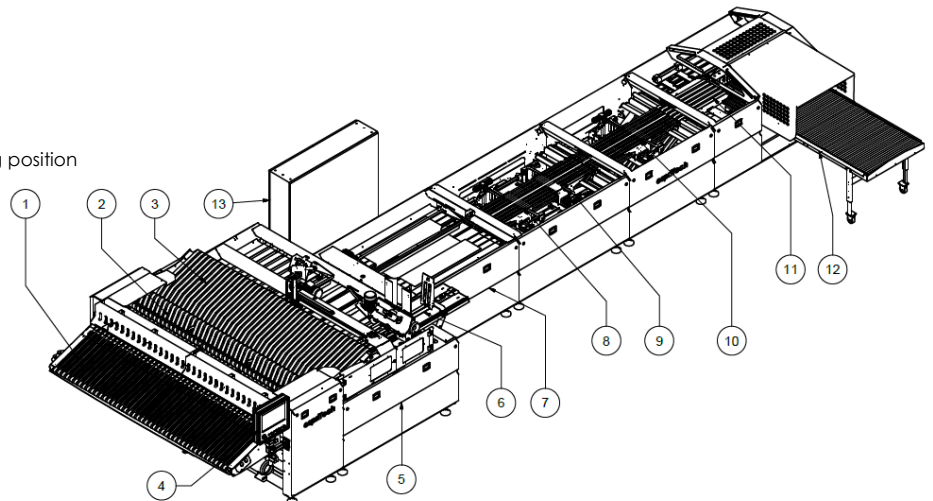
**Business contact:**

**espritech**

espritech GmbH  
 Brunnenthalstrasse 16  
 CH-3306 Etzelkofen  
 Switzerland

[www.espritech.ch](http://www.espritech.ch)  
[info@espritech.ch](mailto:info@espritech.ch)

T: +41 32 530 22 78  
 F: +41 32 530 22 79



- |                                  |                            |
|----------------------------------|----------------------------|
| 1 Feeding station (option Laser) | 8 Cross fold C             |
| 2 Cross fold A                   | 9 Cross fold D             |
| 3 Cross fold B (optional)        | 10 Cross fold E (optional) |
| 4 Control panel                  | 11 Roll off stacker        |
| 5 Lateral folding station A      | 12 Roller conveyor         |
| 6 Cardboard inserter (optional)  | 13 Electro control cabinet |
| 7 Lateral folding station B      |                            |

folded Blankets



rolled Blanket



folded Scarf



folded Scarf



rolled Scarf

